

BUILDER SELECT RAILING

- Limited Lifetime Warranty
- Stylish and Strong PVC Rail System
- Six Easy Installation Steps vs. 10-20 With Others
- Vibrant White UV Protected Rail System Engineered to Avoid Yellowing
- Tan Color Available - Special Order Only
- Will Never Need Painting
- Ideal for Residential and Commercial Applications
- Meets and Exceeds all International Building Codes (IBC) and International Residential Building Codes (IRC)
- Exceeds IBC, IRC, BOCA, SBCC1, and ASCE7 Building Code Requirements
- Approval for 2nd Floor and Higher Applications
- NEW Column Installation Brackets Available***
- Will Never Chip, Rust or Splinter
- Stress Tested/Impact Resistant



Builder Select Railing combines commercial grade strength with beauty and elegance, creating a railing system that is practically maintenance free. The Builder Select Railing system has a Limited Lifetime warranty and is manufactured from stylish and strong impact resistant PVC.

Builder Select Railing has been engineered to accommodate normal temperature swings and changing climate conditions. It is manufactured from high quality rigid PVC with impact modifiers and high levels of Titanium Dioxide which prevent ultraviolet degradation. As with most plastics, vinyl will become less flexible in colder weather conditions; however, unless

subjected to unusual impact, it will not break. Builder Select Railing is categorized as Self-Extinguishing, meaning it has a high flash point, 716 degrees F, so it does not readily ignite and does not sustain combustion once the source of ignition is removed.

Meeting or exceeding all International Building Codes and all International Residential Codes allows Builder Select Railing to be used in commercial and residential construction. Installs in 6 easy steps saving time and money. Compared to the cracking, chipping, splintering, and constant painting of wood or the denting and rusting of aluminum and steel, nothing holds up better than Builder Select Rail.

COMMERCIAL



RESIDENTIAL



COLUMN INSTALLATION BRACKET



Now there is no need to notch out your base to install railing. HB&G's new column installation bracket does the work for you. Available for 8", 10" and 12" Round and Square columns.



Ball Cap



New England Skirt



Gothic Cap



New England Cap



Full length Aluminum Insert
Gives great strength and support to tie the rail system to the structure.

Hardware
Complete with epoxy for concrete mount or fasteners for wood mount.



Column Bracket Set



Newel Post Bracket Set

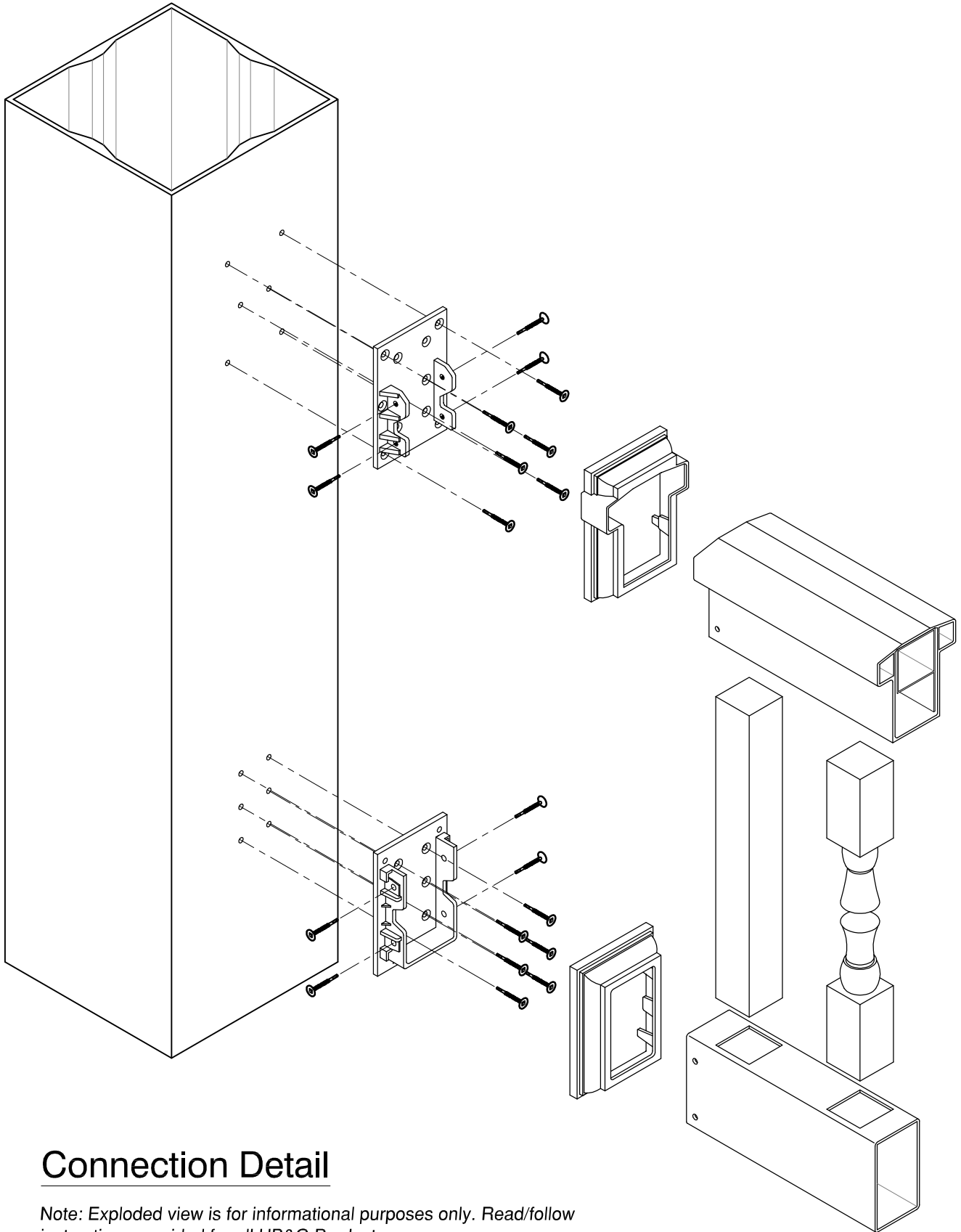
36" - 42"
Commercial code approved
Newel Post

CODE APPROVED NEWEL POSTS

The HB&G Builder Select Railing system offers two newel posts. The first, seen above, is a commercial grade newel post that meets all commercial and residential building codes. The second is a residential grade newel post that meets all residential building codes. Both newel posts are designed to integrate with the Builder Select Railing system giving a beautiful look that is secure and backed by commercial and residential building code approvals.

RAILING KITS		
Rail Height	1-1/2" Square Baluster	1-1/2" Turned Baluster
36"	6', 8', 10' Kits	6', 8', 10' Kits
36" Slope*	6', 8' Kits	6', 8' Kits
42"	6', 8', 10' Kits	6', 8', 10' Kits
42" Slope*	6', 8' Kits	6', 8' Kits
*Will Accommodate a 30-35 Degree Slope		
ADA Grab Rail Sections Available		





Connection Detail

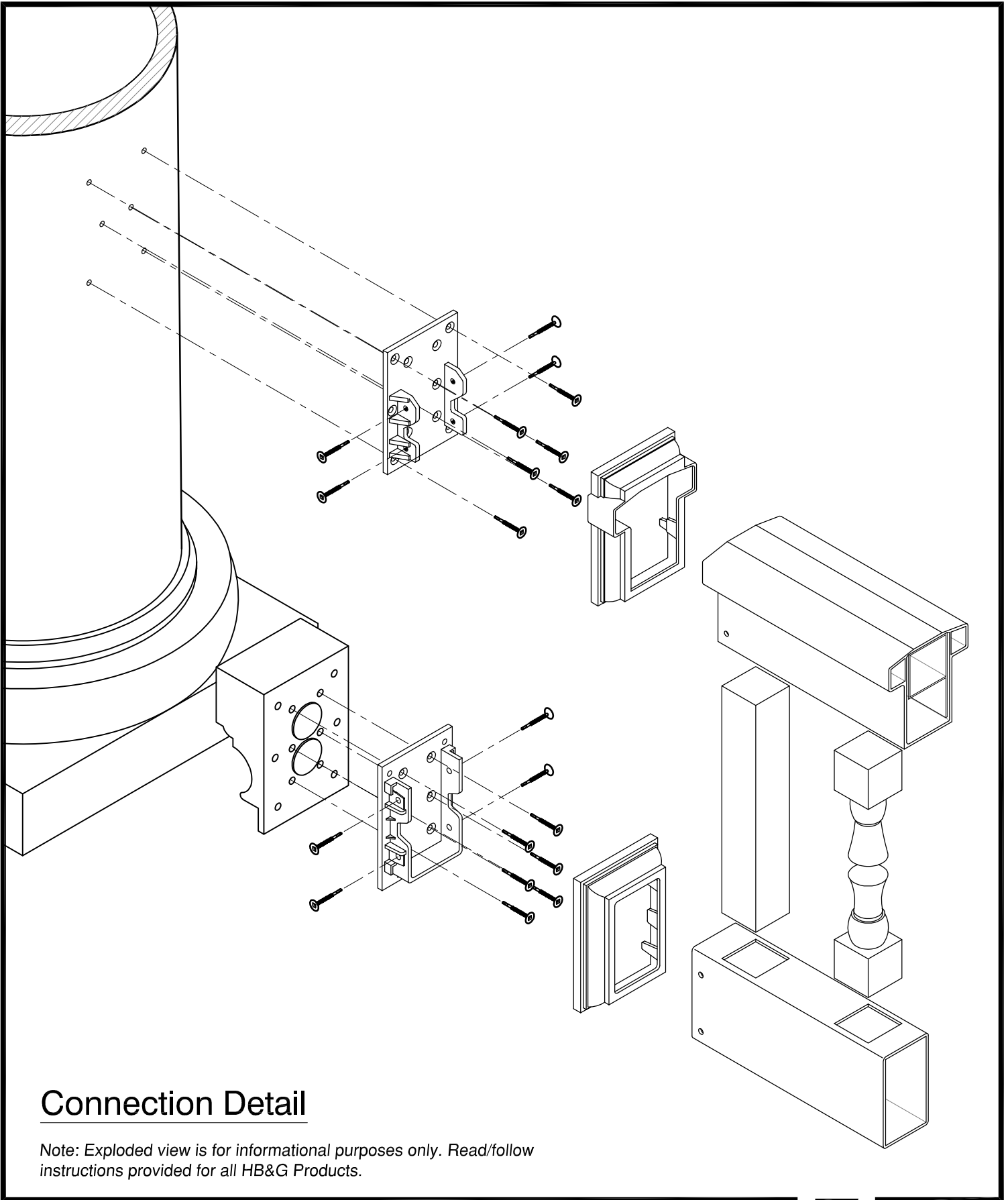
Note: Exploded view is for informational purposes only. Read/follow instructions provided for all HB&G Products.

Drawn By: JLC
 Date: 17 Feb 2009
 Revised: .
 Scale: Not to Scale
 Dwg #: Builders Select Rail Detail
 Sheet 1 of 1

Installaion Detail
Builders Select Rail
 to PermaLite Column


 Building Products

1015 Brundidge Blvd.
 P.O. Box 589
 Troy, Alabama 36081
 334.566.5000
 Fax 334.566.4626
www.hbgcolumns.com



Connection Detail

Note: Exploded view is for informational purposes only. Read/follow instructions provided for all HB&G Products.

Drawn By: JLC
 Date: 24 Feb 2009
 Revised: .
 Scale: Not to Scale
 Dwg #: New Rail Detail
 Sheet 1 of 1

Builders Select Rail
PermaCast Column Connection

HB&G
 Building Products

1015 Brundidge Blvd.
 P.O. Box 589
 Troy, Alabama 36081
 334.566.5000
 Fax 334.566.4626
 www.hbgcolumns.com