



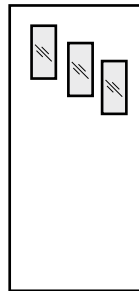
B&B Wood Products inc.

26301 Richmond Road, Bedford Hts, OH 44146-1488

(216) 292-6555 / Fax (216) 292-6584; E-mail: sales@bbwood.com

Door Accessories

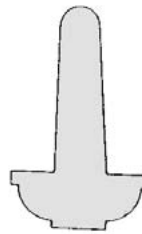
Light & Louver Door Insert Kits Wood & Metal Astragals - Door Plant-Ons



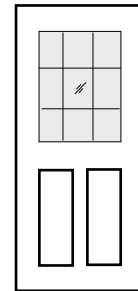
Light Kits



Louver Kits



Astragals



Plant-Ons

Light & Louver Inserts --Wood
T-Astragal
Door Plant-Ons

Page 2
Page-3
Page-3



B&B Wood Products inc.

26301 Richmond Road, Bedford Hts, OH 44146-1488
(216) 292-6555 / Fax (216) 292-6584; E-mail: sales@bbwood.com

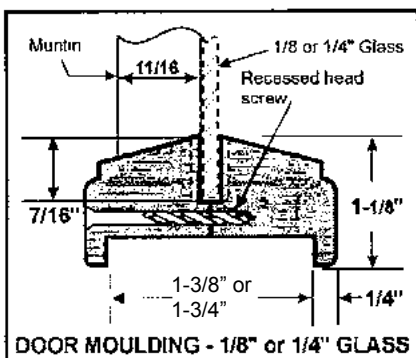
1-3/8" & 1-3/4" Wood Door Inserts - purchased separately

Light Inserts

Cut out area is 1" larger than listed size.



Standard kits are supplied mill option in Beech or Alder. Kits may be special ordered in Hard Maple, Mahogany (Sapele), Cherry & Red Oak.



DOOR MOULDING - 1/8" or 1/4" GLASS

SIZE	1/8" Temp	INSUL	SIZE	1/8" Temp	INSUL
4x 12			20x 20		
4x 16			20" Octagon		
4x 18			20x 24		
4x 20			20x 30		
4x 24			20x 36		
4x 48			20x 64		
5x 10			24x 24		
6x 6			24x 30		
6x 7 1/2		n/a	24x 36		
6x 10			24x 64		
6x 30			20x 20 2 LT		
10x 10			20x 24 2 LT		
10" Octagon			24x 24 2 LT		
10x 40			24x 36 3 LT		
12x 12			20x 36 9 LT		
13Circle PVC		n/a	24x 36 9 LT		
16x 16			Sunburst 1-LT		
18" Circle			Sunburst 4-LT		

Shaded Areas are Special Order Items

Louver Inserts

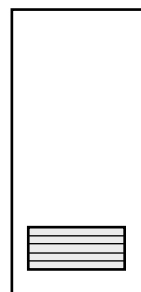
Cut out area is 1" larger than listed size.

Approximately 33% free air-space



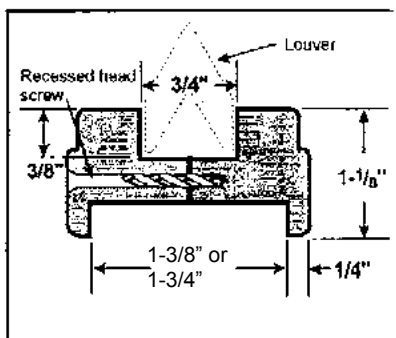
Size
12 x 8
12 x 12
14 x 12
16 x 12
16 x 16
18 x 12

Size
20 x 12
20 x 16
20 x 20
20 x 24
24 x 12
24 x 18
24 x 20
24 x 24



**20" & wider have vertical mullion

Standard kits are supplied mill option in Beech or Alder. Kits may be special ordered in Hard Maple, Mahogany (Sapele), Cherry & Red Oak.



B&B Wood Products inc.

26301 Richmond Road, Bedford Hts, OH 44146-1488
(216) 292-6555 / Fax (216) 292-6584; E-mail: sales@bbwood.com

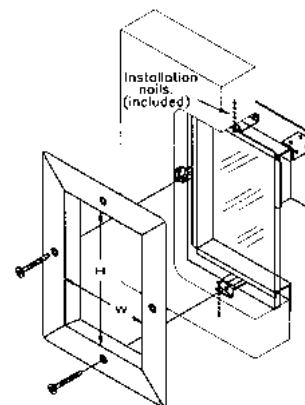
FLUSH DOOR ADD-ONS

102 10 x 10 12" Top Rail	103 10 x 10 9-3/4" Top Rail	104 4 x 24 10" Top Rail	201 20 or 24 x 24 7-5/8" Top Rail	207 4 x 48 5" Top Rail	211 10 x 40 7-3/4" Top Rail	302 5 or 6 x 10 8" Top Rail	303 5 or 6 x 10 8" Top Rail	304 6 x 10 8" Top Rail
309 6 x 10 6" Top Rail 6" Between	401 4 x 24, 18, 12 7" Top Rail	402 4 x 12, 24, 12 5-1/2" Top Rail	403 4 x 24, 18, 12 7" Top Rail	406 10 x 10 10" Top Rail 8" Between	410 4 x 14, 20, 14 7" Top Rail	501 6 x 7-1/2 9-5/8" Top Rail	502 6 x 7-1/2 9-5/8" Top Rail	602 SUNBURST 1-3/4" only 9" Top Rail

Light Kit Placement:

The top rail dimension (top of door to where frame begins) is listed on each drawing for an 80" door height. Add 4" to our standard location for 84" door heights. Add 16" to the 80" layout for 96" high. Light kits that are not centered will have a 6" face stile (edge of door to where frame begins). For custom light location please provide a diagram.

Metal Vision Kits for Label Doors



For standard 1-3/4" door and 1/4" glass.
Cut-Out Size: Kit size + 1-1/2"
Glass Size: Kit size + 3/4"

UL & WHI listed. Meets L10B requirements for Negative pressure and UL10C & UBC 7-2(1997) for positive pressure.

Finish is beige polyester powder coating. No glazing compound, tape or intumescent is required for most label applications.

Frames are approved for wire glass or 3/16" clear firelight glass to maintain rating.

SIZE
4X25
5X20
8X12
10X10
24X30

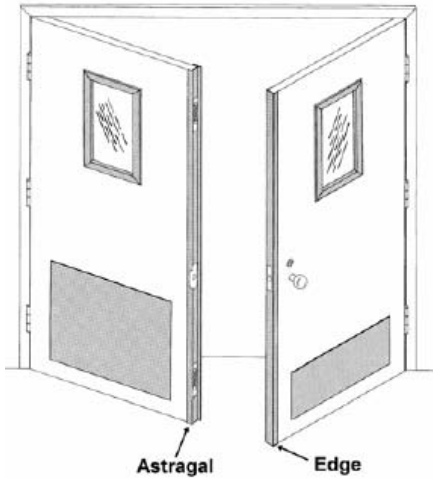


B&B Wood Products inc.

26301 Richmond Road, Bedford Hts, OH 44146-1488
 (216) 292-6555 / Fax (216) 292-6584; E-mail: sales@bbwood.com

Metal Astragals and Edges

Edge and Astragal sets are listed to 90-minutes. Standard finish is beige powder coated. All bevels are 1/8" in 2". Punched and coined for #8 x 3/4" flat screws (included). Specify net height of astragal and edge.



Length
80"
84"
96"

Machine Options: preps for locks; strike and flushbolts.

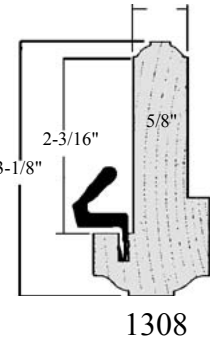
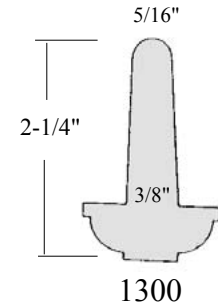
Wood T-Astragals

	#1300		#1308	
	84"	96"	84"	96"
Poplar				
Fir				
Pine				
Knotty Pine				
Red Oak				
Maple				
Cherry				
African Mahogany				
Walnut				
White Oak				

#1300: Specify 1-3/8" or 1-3/4" door
 #1308: 1-3/4" door only. Includes brown Qlon weatherstrip & astragal boot.

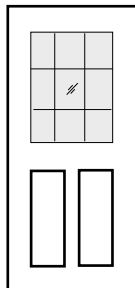
Shaded areas: Special Order

More Species	Special Order
Alder	
Ash	
White Birch	
Hickory	
Knotty Alder	



Flush bolts not included: Astragals may be ordered machined for flushbolts.

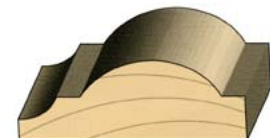
Plant-On Mouldings



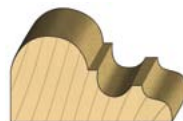
Create your own design



BB152 9/16" x 1-1/4"



BB150 11/16" x 1-3/4"



PM535 5/8" x 1-1/4"



PM525 11/16" x 1-3/4"