

## Folding & Sliding Stairs

Wood Folding stairs feature 1-2 more treads than the competition. More treads means easier access. Pre-drilled installation holes, easy first step down from attic for personal safety and 9 1/2" tread rise. For residential use only.



Page 2-3

Every folding stair features:

Spacer & Runner Construction on Door to Prevent Warpage

Southern Yellow Pine Moulded Stair Parts, No Sharp Edges

Adjustable Spring Tension

Heavy Gauge Spring Arm

Full Width Piano Hinge Mounted Internally for Easy Installation of Trim

No Welded Hardware

Stringer Reinforcement Bracket

Hinge Backing Plates for Added Strength

Heavier Gauge Section Hinge Than Most Competition

3/16" Ladder Rod Under Each Tread with Ladder Washer



Page 2

Strong, Lightweight Aluminum Folding Stairway

#1200 FEATURES:

- 10' - 12' Ceiling Height
- 13 Treads
- R-6 Insulation Panel Standard



Page 4-5

The disappearing sliding stairway is designed to replace the conventional folding attic ladder and is specially engineered to fit existing folding-stair openings. Constructed with solid, one-piece stringers, stairs slide into the attic instead of fold for the ultimate in strength and support. Ladder rods under each tread for added strength and rigidity. Bessler stairs are made with kiln dried yellow pine, full length handrails and grade A 1 3/8" hollow core doors on most models. Sliding stairs are fully counterbalanced for weight control to respond to the lightest touch. Load capacities up to 800 lbs (depending on model). With angles as small as 53 degrees, you don't climb a Bessler, you walk up it. For residential or commercial use (Space Saver is for residential use only).

Bessler stairs are available in eight models, including a folding space saver model.

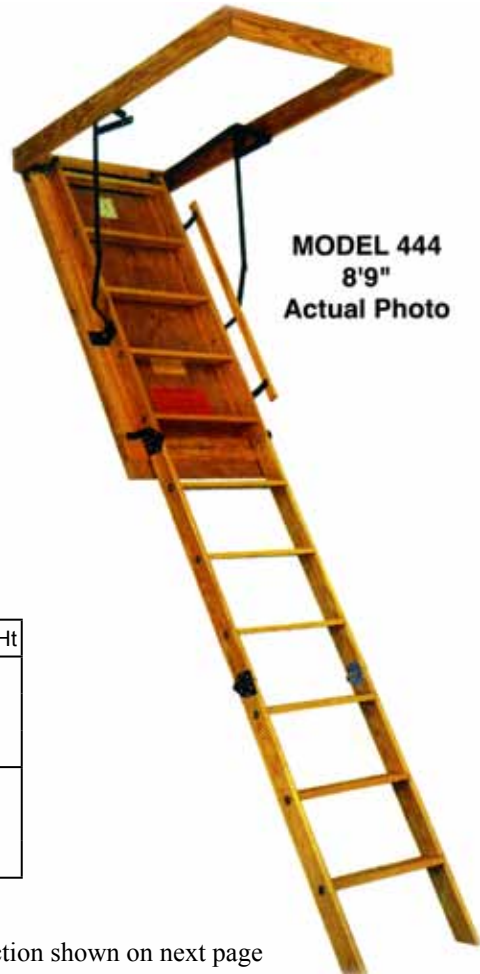
## Disappearing Stairways

Designed for Residential Use Only

### 444 Model

- Rated for 250 lbs
- 1 x 4 Treads, 1 x 4 Stringers & Frame
- Easy First Step Down from Attic for Personal Safety
- 9-1/2" Tread Rise on All Stairs
- More Treads for Easier Access
- Steel Ladder Rod Under each Tread
- Adjustable Spring Tension
- Hardware plated or painted to prevent rust
- Completely Assembled
- Optional Fire Resistant Door Panel (Class C – Flame) spread not over 25 in a 30 minute test. UL Rating.

Rough Opg	Ceiling Ht
22 x 48	8'5"
22 x 54	8'9"
22 x 54	10'0"
25½ x 48	8'5"
25½ x 54	8'9"
25½ x 54	10'0"



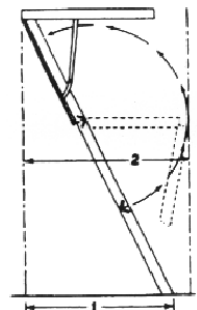
MODEL 444  
8'9"  
Actual Photo

Landing Space and Projection shown on next page

## 12' Ceiling Height



- Rated for 350 lbs
- For 10' to 12' ceilings
- Adjustable feet with rubber tread
- Heavy Duty Hinge
- Insulated Panel
- E-Z Hang temporary support installation Straps
- Shim Kit Included
- Completely Assembled
- Optional Fire Resistant Door Panel (Class C – Flame) spread not over 25 in a 30 minute test. UL Rating.



\*\*We recommend adding 18" to landing space for safety

22 x 66	Rough Opening: 22" x 66"; Landing space 81"***; Projection 89"
25 x 66	Rough Opening: 25.5" x 63"; Landing space 81"***; Projection 89"
30 x 66	Rough Opening: 25.5" x 63"; Landing space 81"***; Projection 89"

## Disappearing Stairways

Designed for Residential Use Only

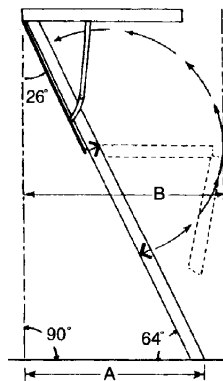
### 655 Model



**MODEL 655**  
8'9"  
Actual Photo

- Rated for 300 lbs (350 lbs on 10'6" height)
- 1 x 6 Treads
- 1 x 5 Stringers & Frame
- R-6 Insulation Panel with Weatherstripping
- Easy First Step Down from Attic for Personal Safety
- 9-1/2" Tread Rise on All Stairs
- More Treads for Easier Access
- Steel Ladder Rod Under each Tread
- Adjustable Spring Tension
- Hardware plated or painted to prevent rust
- Completely Assembled
- Optional Fire Resistant Door Panel (Class C – Flame) spread not over 25 in a 30 minute test. UL Rating.
- Optional 60 MINUTE Fire Unit (Surpasses ASTM E-119 Fire Test. Meets IBC; 350 lb rated.) Height of 9'3" is also available in 60" long.

Rough Opg	Ceiling Ht
22 x 54	8'9"
22 x 54	10'0"
22½ x 60	10'6"
25½ x 54	8'9"
25½ x 54	10'0"
25½ x 60	10'6"
30 x 54	8'9"
30 x 54	10'0"
30 x 60	8'9"
30 x 60	10'0"
30 x 60	10'6"



Rough Opening	Ceiling Height	# of Treads*	A Landing Space**	B Projection
22" x 48"	8'5"	10	56"	60"
22" x 54"	8'9"	11	58"	66"
22" x 54"	10'	13	65"	79"
25 ½" x 48"	8'5"	10	56"	60"
25 ½" x 54"	8'9"	11	58"	66"
25 ½" x 54"	10'	13	65"	79"
30" x 54"	8'9"	11	59"	66"
30" x 54"	10'	13	66"	79"
30" x 60"	8'9"	11	59"	66"
30" x 60"	10'	13	66"	79"

\*Most competition has 1 or 2 treads less

\*\*It is recommended adding 18" to landing space dimensions for safe ascent or descent of the stairway

Now available with 60-Minute Rating

# Bessler Disappearing Sliding Stairways

100 Size	Floor to Floor (A)	Radius Above (B)	Plumb Ht above ©	Run Below (D)	Panel Opening (E)
1	7'7" to 7'10"	4'4"	3'2"	6'5"	30" x 70"
2	7'11" to 8'4"	4'11"	3'8"	6'10"	30" x 70"
3	8'5" to 8'10"	5'7"	4'1"	7'3"	30" x 70"
4	8'11" to 9'4"	6'2"	4'6"	7'7"	30" x 72"
5	9'5" to 9'10"	6'4"	4'9"	8'0"	30" x 76"
6	9'11" to 10'4"	6'8"	5'0"	8'4"	30" x 80"
7	10'5" to 10'10"	7'0"	5'3"	8'9"	30" x 84"
8	10'11" to 11'4"	7'6"	5'5"	9'2"	30" x 85"
9	11'5" to 11'10"	7'9"	5'10"	9'6"	30" x 89"
10	11'11" to 12'4"	8'1"	6'1"	9'10"	30" x 93"
11	12'5" to 12'10"	8'6"	6'4"	10'3"	30" x 96"

**MODEL 100 - \*\*\*ONLY\*\*\* recommended for commercial applications. Residential applications use size 70.** Solid one piece stringers and treads of selected 1 x 8 kiln dried yellow pine. **Ships in 4 ctns.**

Ladder width 18-7/8". Load capacity 800 lb.

Will fit ceiling thickness from 7-1/4" to 18"  
(If ceiling thickness is more or less than range shown - call for quotation)

"F" degrees = 53

Grade "A" 1-3/8" hollow core door panel.  
Full length handrail. Ladder rod under each tread for added strength and rigidity.

70 Size	Floor to Floor (A)	Radius Above (B)	Plumb Ht above ©	Run Below (D)	Panel Opening (E)
1	7'7" to 7'10"	4'4"	2'11"	5'4"	30" x 66"
2	7'11" to 8'4"	4'11"	3'5"	5'8"	30" x 66"
3	8'5" to 8'10"	5'7"	3'11"	6'0"	30" x 66"
4	8'11" to 9'4"	6'2"	4'5"	6'4"	30" x 66"
5	9'5" to 9'10"	6'4"	4'6"	6'8"	30" x 72"
6	9'11" to 10'4"	6'8"	5'1"	6'11"	30" x 72"
7	10'5" to 10'10"	7'0"	5'5"	7'4"	30" x 72"

**MODEL 70 - Solid One piece stringers and treads of selected 1 x 6 yellow pine. Ships in 3 ctns.**

Ladder width 18-7/8". Load capacity 600 lb.

Will fit ceiling thickness from 6-1/4" to 16"  
"F" degrees = 57

Grade "A" 1-3/8" hollow core door panel.  
Full length handrail. Ladder rod under each tread for added strength and rigidity.

**MODEL 30T, 40 - Solid One piece stringers and treads of selected 1 x 6 yellow pine. Model 30\*\* -is designed to fit between 24" O.C. truss ceilings. Because of limited space, this unit requires rough and finished opening to be the same as the panel opening shown in chart. Ships in 3 ctns.**

30, 40	Floor to Floor (A)	Radius Above (B)	Plumb Ht above ©	Run Below (D)	30 Panel Opening (E)	40 Panel Opening (E)
1	7'7" to 7'10"	4'4"	2'11"	5'4"	22½" x 66"	24" x 66"
2	7'11" to 8'4"	4'11"	3'5"	5'8"	22½" x 66"	24" x 66"
3	8'5" to 8'10"	5'7"	3'11"	6'0"	22½" x 66"	24" x 66"
4	8'11" to 9'4"	6'2"	4'5"	6'4"	22½" x 66"	24" x 66"
5	9'5" to 9'10"	6'4"	4'6"	6'8"	22½" x 72"	24" x 72"
6	9'11" to 10'4"	6'8"	5'1"	6'11"	22½" x 72"	24" x 72"
7	10'5" to 10'10"	7'0"	5'5"	7'4"	22½" x 72"	24" x 72"

Door panel is pre-sized to fit within panel opening shown in Column E.

Ladder width 17-1/16". Load capacity 500 lb.

Will fit ceiling thickness from 6-1/4" to 16"  
"F" degrees = 57

Ladder rods under each Tread.  
Grade "A" 1-3/8" hollow core door panel. Full size handrail.

26, 26T	Floor to Floor (A)	Radius Above (B)	Plumb Ht above ©	Run Below (D)	26 Panel Opening (E)	26T Panel Opening (E)
1	7'7" to 7'10"	4'9"	4'2"	3'9"	25½" x 54"	22½" x 54"
2	7'11" to 8'4"	5'2"	4'7"	3'11"	25½" x 54"	22½" x 54"
3	8'5" to 8'10"	5'8"	5'1"	4'2"	25½" x 54"	22½" x 54"
4	8'11" to 9'4"	6'2"	5'7"	4'5"	25½" x 54"	22½" x 54"
5-54	9'5" to 9'10"	6'8"	6'1"	4'8"	25½" x 54"	22½" x 54"
5	9'5" to 9'10"	6'8"	6'1"	4'8"	25½" x 60"	22½" x 60"
6	9'11" to 10'4"	7'2"	6'7"	4'11"	25½" x 60"	22½" x 60"
7	10'5" to 10'10"	7'8"	7'1"	5'2"	25½" x 74"	22½" x 74"
8	10'11" to 11'4"	8'2"	7'7"	5'5"	25½" x 74"	22½" x 74"
9	11'5" to 11'10"	8'8"	8'1"	5'8"	25½" x 74"	22½" x 74"

**MODEL 26, 26T - Engineered to fit an existing stair opening. Shipped partially assembled on a 6-3/4 frame and includes one piece stringers with treads, made of select 1 x 6 yellow pine, ladder rods under each tread and a molded handrail. Ships in 3 ctns.**

Ladder width on 26: 17-1/16".  
Ladder width on 26T: 14".  
Load capacity 600 lb.

Will fit ceiling thickness from 6-1/4" to 12"; "F" degrees = 66  
\*Size 5 is available for a R.O. of 54". Specify size 5-54

20	Floor to Floor (A)	Radius Above (B)	Plumb Ht above ©	Run Below (D)	Panel Opening (E)
1	7'7" to 7'10"	4'9"	4'2"	3'9"	24" x 48"
2	7'11" to 8'4"	5'2"	4'7"	3'11"	24" x 48"
3	8'5" to 8'10"	5'8"	5'1"	4'2"	24" x 48"
4	8'11" to 9'4"	6'2"	5'7"	4'5"	24" x 48"

**MODEL 20 - The most compact of Bessler stairs equipped with Solid One piece stringers and treads of selected 1 x 4 yellow pine. Ladder rods under each tread, molded handrail, good quality 1/4" fir door panel. Ships in 3 ctns.**

Ladder width 17-1/16". Load capacity 400 lb.  
Will fit ceiling thickness from 4-11/16" to 18"  
"F" degrees = 66

# B&B Wood Products inc.



One-piece sliding

- not a folding attic ladder

Residential & Commercial

Average Capacity 600 lbs.

Easy Operation

Superbly engineered for maximum stability

Hydraulic dampened door closure

Units have solid one piece stringers shipped un-assembled.

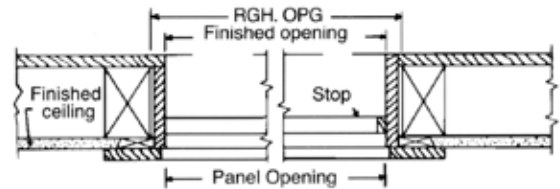
## Information Needed For Proper Ordering

- Specify both Floor to Floor and Floor to Ceiling measurements when ordering BESSLER one-piece stairways.
- SPECIFY MODEL AND SIZE ON YOUR ORDER.
- ROUGH OPENING should be 2" wider and longer than panel size shown. (See truss models for exceptions, doesn't apply to Model 26, 26T).
- BESSLER STAIRWAYS are engineered and custom built to fit and operate within the requirements as shown in the charts and illustrations, and not subject to cancellation after construction begins.
- Installation CD available.

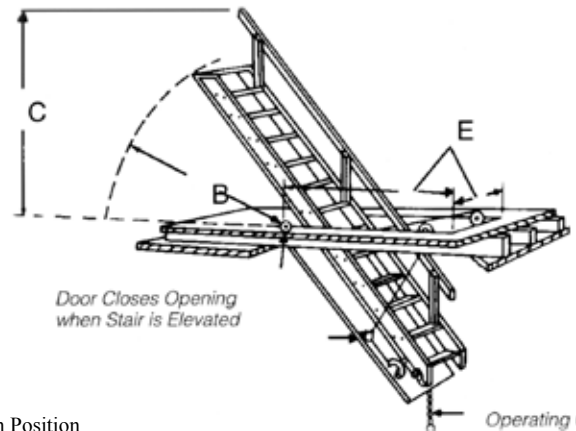
Closed position (approximately half of ladder stored over door panel and other half over attic floor)



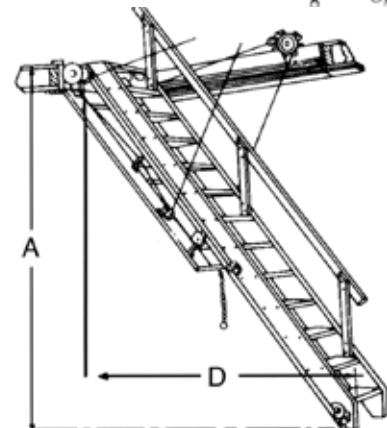
Section Through Stair Opening



Stairway partly down on panel



Open Position



You don't climb a Bessler stairway - you walk up it!

sales@bbwood.com