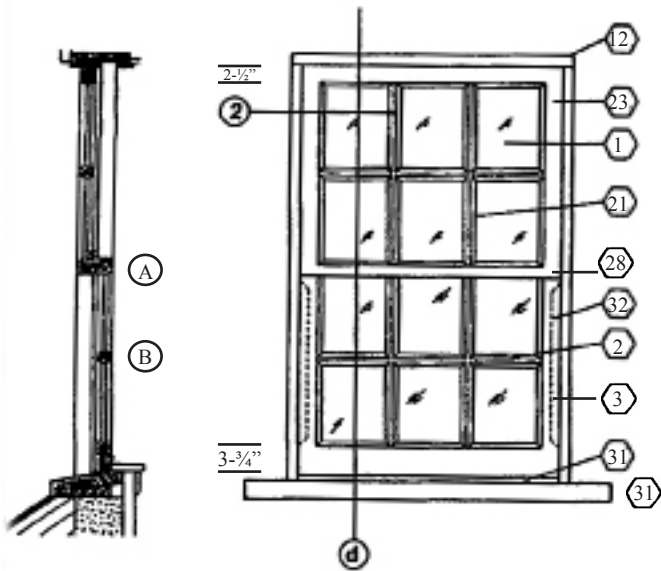
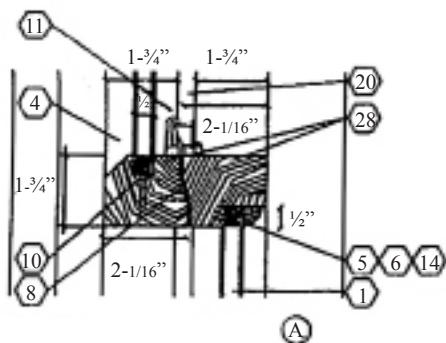


Lexington Historic Windows

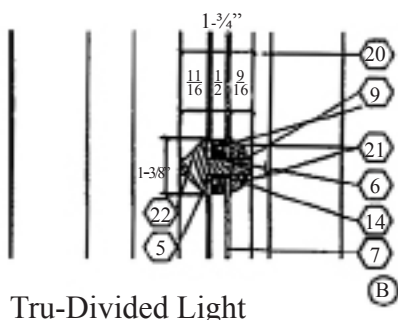
The Lexington window is custom designed to meet your specifications when replacing Historical windows. All wood (solid clear pine) used to make the Lexington is treated with Wood-Life™ preservative for longevity and durability. The Lexington features up-to-date methods of weather-stripping and insulated glass for maximum efficiency. The Lexington is available for sash replacement or as complete units. Some options include: choice of species, method of sash balance, arch top, oversize windows and hardware.



1. Window shown with Insulated glass – True Divided Lights
2. Exterior Stops Sloped Glazed Design
Interior stop design: quarter bead
3. Channel Balancer (Hidden Balancer)
4. Dual seal Insulated Glass
5. PIB Polytecbutylene primary seal
6. Polysulfide Secondary Seal
7. Low E film third surface from Exterior-Optional
8. Hollow Bulb on meeting rail of top sash
9. Glazing channel on all Insulated glass seals
10. Weep channel & weep drain
11. Latch (optional)
12. Frame (sugar pine or equivalent)
14. Desocant & aluminum spacer
15. Stool (Optional) (not pictured)
16. Schagle Pile Insulation (not pictured)
17. Foam filled Bulb on bottom rail of bottom sash
18. Siding (not included)
19. Existing wall assembly (not pictured)
20. Parting Stop
21. Glass bead (Quarter Bead Design on interior)
22. Muntin (Slope Glaze Exterior)
23. Sash - Mortise and Tenon Joints
24. Window Stop 1-9/16" (not pictured)
25. Blind Stop (not pictured)
26. Trim board (not included) (not pictured)
28. Meeting (Check) Rails
31. Sill
32. Hidden Balancers
33. Factory primed finish Exterior and Interior (optional)
34. Thumb Lifts: style, quantity, size, finish (Optional)
35. Diagram represents a window with a stile thickness of 1-3/4" with 1/2" glass.



Check (meeting) Rail



Tru-Divided Light

Custom thick sash of 2-1/4" can be quoted with a maximum glass thickness of 7/8" and a 1/2" stop.